

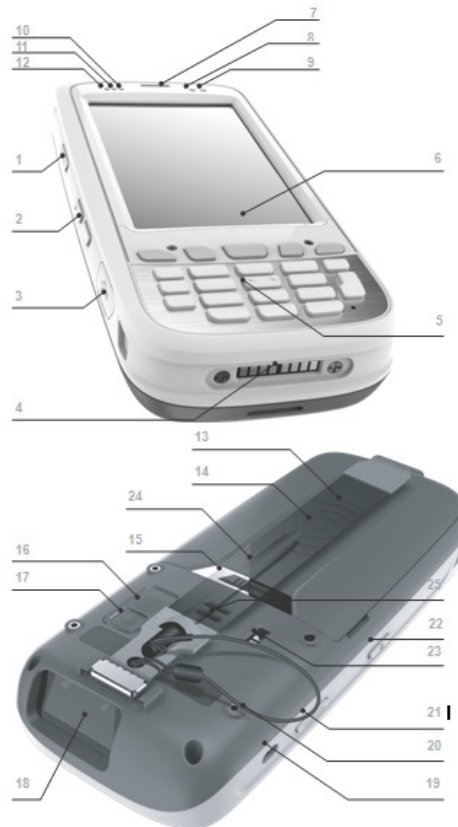
Z271 Q4

HSPDA Quick Start Guide



1

Function



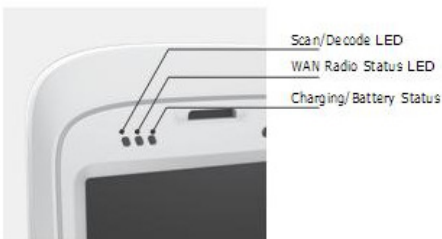
- 1 Scan key
- 2 Volume control key +/-
- 3 Micro USB Interface
- 4 I/O Interface
- 5 Keyboard
- 6 Resistive Touch Screen
- 7 Handset
- 8 Proximity sensor and light sensor transmitter
- 9 Proximity sensor and light sensor receiving end
- 10 Charging Status LED
- 11 WAN Radio Status LED
- 12 Scan / Decode LED
- 13 Wrist band
- 14 13.56MHz RFID reader
- 15 Battery cover snaps
- 16 Camera LED Flash
- 17 Camera
- 18 Barcode Scanner window
- 19 Headphone jack
- 20 Bolt rope pen
- 21 Scan button
- 22 Camera button
- 23 900MHz RFID reader
- 24 Connection contacts
- 25 Touch Pen
- 26 Speaker

2



| | | | |
|---|----------|---|---------------|
| 1 | Menu key | 4 | Function keys |
| 2 | Home key | 5 | On-Off key |
| 3 | Scan key | 6 | Return key |

- Scan/Decode LED
- Green light flashing once
- WAN Radio Status LED
- Green light interval about 5 seconds flashes once: in network signal area
- Charging/Battery Status LED
- Red: Charging
 - Green: Charging complete
 - Red blinking: Charging error

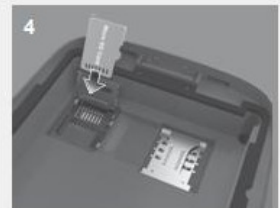


3

Getting Started

Install Micro SD

- 1 Take off wrist band
- 2 Remove the back cover and battery
- 3 Slide down and lift the card cover
- 4 Gently Micro SD card into the deck
- 5 Fastened to the deck lid and slide lock



Install Sim Card

- 1 Take off wrist band
- 2 Remove the back cover and battery
- 3 Take SIM card advancing slowly from right to left



4

Installing Battery

1. When placed in the battery, first sliding battery cover snaps from right to left, remove the battery cover.
2. Take the battery metal contacts point to the terminal's metal contacts well and hard pressed.



Remove Battery

1. Press and hold the power button does not move for about 10 seconds shutdown.
2. Remove the wrist strap, firstly sliding battery cover snaps from right to left, remove the battery back cover.
3. Hard pull rope on the battery until the battery is removed.



5

Z271 Charging

1. Put the Z271 into charging cradle
2. Connect the power cord

Z271 Charging / Battery Status LED

- Red: Charging
- Green: Charging complete
- Red blinking: Charging error

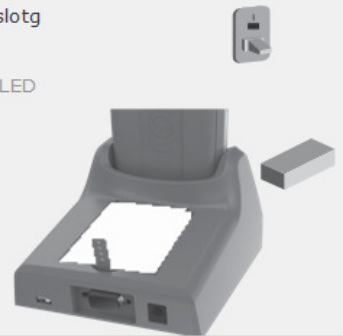


Battery Charging

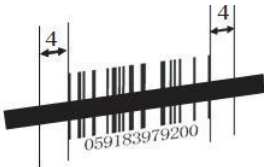
1. Put the battery into charging slot
2. Connect the power cord

Cradle Charging / Battery Status LED

- Red: Charging
- Green: Charging complete
- Red blinking: Charging error



6

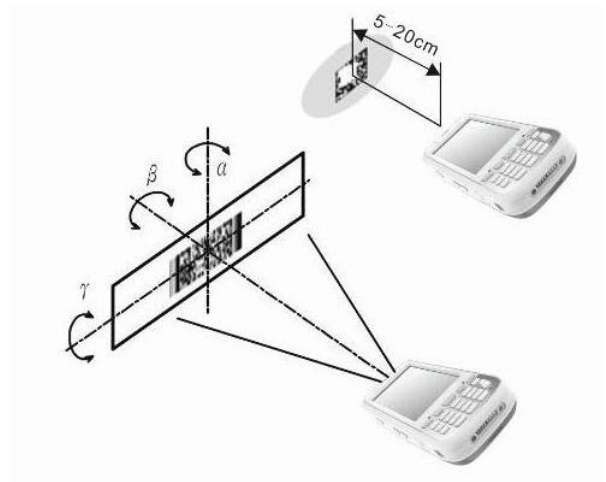


Right barcode laser scanner reader specifications



| RIGHT | WRONG |
|-------|-------|
| | |
| | |
| | |

7



8

Host Communications

- 1 Connect Z271 Micro USB to Host PC via USB cable
- 2 Put Z271 into cradle, connect the cradle to host PC via Micro USB or RS-23



9

Android 4.1 Icons

| Icon | Desc. | Icon | Desc. |
|------|---------------------|------|----------------------|
| | WLAN | | Nivel señal Wifi |
| | BT | | Modo Avion |
| | Icono puerto USB | | USB dispuesto |
| | Llamada recibida | | Bateria en carga |
| | Mensajes texto | | Estado bateria lleno |
| | Sonido desabilitado | | Barcode activo |
| | Nivel de señal 3G | | Giro de pantalla |
| | Icono de bloqueo | | Icono desbloqueo |

For more information about Z271,
please visit or contact: www.actives.net

10